



INV Series-General Purpose INV12-5 (12V 5.2Ah)

INVERMEXA

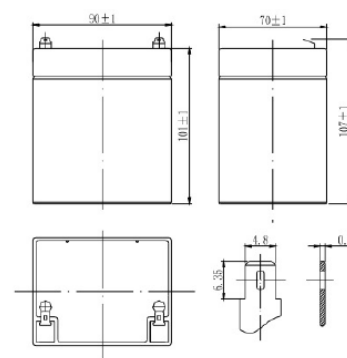
Performance Characteristics

Nominal Voltage	12V
Number of cell	6
Design Life	5 years
Nominal Capacity 25°C	
• 20 hour rate (0.26A, 10.5V)	5.20Ah
• 10 hour rate (0.47A, 10.5V)	4.70Ah
• 5 hour rate (0.88A, 10.5V)	4.40Ah
• 1 hour rate (2.60A, 9.6V)	2.60Ah
Internal Resistance	
• Fully Charged Battery 25°C	<35mOhms
Self-Discharge	
• 3% of capacity declined per month at 20°C	
Operating Temperature Range	
• Discharge	-20~60°C
• Charge	-10~60°C
• Storage	-20~60°C
Max. Discharge Current 25°C	75A (5s)
Short Circuit Current	270A
Charge Methods: Constant Voltage Charge 25°C	
• Cycle use	2.40-2.45VPC
• Maximum Charging Current	2.00A
• Temperature compensation	-30mV/°C
• Standby use	2.23-2.30VPC
• Temperature compensation	-20mV/°C
Dimensions and Weight	
• Length (mm/inch)	90 / 3.54
• Width (mm/inch)	70 / 2.76
• Height (mm/inch)	101 / 3.98
• Total Height (mm/inch)	107 / 4.21
• Approx. Weight (Kg/lbs)*	1.72 / 3.79

*Weight deviation: ~5%



Layout



Discharge Constant Current (Amperes at 77°F 25°C)

End Point Volts/Cell	5min	10min	15min	30min	1h	3h	5h	10h	20h
1.60V	13.6	8.00	5.50	3.98	2.60	1.11	0.96	0.51	0.28
1.67V	12.3	7.65	4.87	3.68	2.30	0.99	0.94	0.49	0.27
1.70V	11.5	7.45	4.32	3.44	2.20	0.94	0.90	0.48	0.27
1.75V	10.6	7.32	3.86	3.12	2.00	0.91	0.88	0.47	0.26
1.80V	9.8	6.89	3.52	2.89	1.90	0.86	0.82	0.46	0.25

Discharge Constant Power (Watts at 77°F 25°C)

End Point Volts/Cell	5min	10min	15min	30min	45min	1h	2h	3h	5h
1.60V	23.5	13.8	9.17	7.10	6.00	4.95	2.80	2.50	1.75
1.67V	22.0	12.8	8.20	6.99	5.90	4.75	2.51	2.20	1.63
1.70V	20.5	11.8	8.01	6.45	5.40	4.34	2.23	2.00	1.58
1.75V	18.9	10.3	7.98	6.32	5.30	4.24	2.16	1.80	1.39
1.80V	16.5	9.9	7.65	6.10	5.10	4.09	2.08	1.70	1.21



INV Series-General Purpose INV12-5 (12V 5.2Ah)

INV R M E X A

General features

- Absorbent Glass Mat (AGM) technology for efficient gas recombination of up to 99% and freedom from electrolyte maintenance or water adding.
- Not restricted for air transport-complies with IATA/ICAO Special Provision A67.
- UL-recognized component.
- Can be mounted in any orientation.
- Computer designed lead, calcium tin alloy grid for high power density.
- Long service life, float or cyclic applications.
- Maintenance-free operation.
- Low self discharge.

Standards

- Compliance with IEC 60896 standards, EU Battery Directive.
- UL, CE Certified.
- MAnufactured under ISO45001, ISO9001 and ISO14001 certified production facilities.

Applications

- All purpose.
- Uninterruptable Power Supply (UPS).
- Electric Power System (EPS).
- Emergency backup power supply.
- Alarm and security system.
- Communication power supply.
- DC power supply.
- Auto control system.

