



INV Series-General Purpose INV12-4.5 (12V 4.5Ah)

INVERMEXA

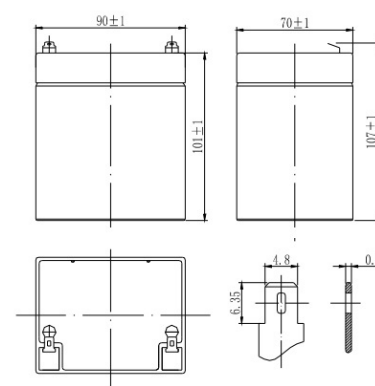
Performance Characteristics

Nominal Voltage	12V
Number of cell	6
Design Life	5 years
Nominal Capacity 25°C	
• 20 hour rate (0.225A, 10.5V)	4.5Ah
• 10 hour rate (0.39A, 10.5V)	3.9Ah
• 5 hour rate (0.69A, 10.5V)	3.45Ah
• 1 hour rate (2.96A, 9.6V)	2.96Ah
Internal Resistance	
• Fully Charged Battery 25°C	<40mOhms
Self-Discharge	
• 3% of capacity declined per month at 20°C	
Operating Temperature Range	
• Discharge	-20~60°C
• Charge	-10~60°C
• Storage	-20~60°C
Max. Discharge Current 25°C	67.5A (5s)
Short Circuit Current	225A
Charge Methods: Constant Voltage Charge 25°C	
• Cycle use	2.4-2.45VPC
• Maximum Charging Current	1.8A
• Temperature compensation	-30mV/°C
• Standby use	2.27-2.30VPC
• Temperature compensation	-20mV/°C
Dimensions and Weight	
• Length (mm/inch)	90 / 3.54
• Width (mm/inch)	70 / 2.76
• Height (mm/inch)	101 / 3.98
• Total Height (mm/inch)	107 / 4.21
• Approx. Weight (Kg/lbs)*	1.45 / 3.19

*Weight deviation: ~5%



Layout



Discharge Constant Current (Amperes at 77°F 25°C)

End Point Volts/Cell	5min	10min	15min	30min	1h	3h	5h	10h	20h
1.60V	15.3	7.98	7.18	4.63	2.96	1.20	0.76	0.44	0.233
1.65V	14.5	7.73	6.83	4.44	2.86	1.16	0.74	0.42	0.231
1.70V	13.6	7.51	6.47	4.25	2.74	1.12	0.71	0.40	0.228
1.75V	12.8	7.39	6.10	4.04	2.62	1.07	0.69	0.39	0.225
1.80V	11.9	7.20	5.49	3.83	2.50	1.03	0.67	0.38	0.221

Discharge Constant Power (Watts at 77°F 25°C)

End Point Volts/Cell	5min	10min	15min	30min	45min	1h	2h	3h	5h
1.60V	30.4	15.64	14.07	9.22	7.44	5.22	3.35	2.43	1.56
1.65V	28.5	15.15	13.38	8.76	7.10	5.01	3.24	2.37	1.54
1.70V	26.6	14.72	12.68	8.28	6.75	4.77	3.13	2.31	1.51
1.75V	24.8	14.41	11.95	7.80	6.38	4.54	3.01	2.24	1.47
1.80V	22.9	14.11	10.76	7.31	6.01	4.29	2.89	2.16	1.44



INV Series-General Purpose INV12-4.5 (12V 4.5Ah)

INV R M E X A

General features

- Absorbent Glass Mat (AGM) technology for efficient gas recombination of up to 99% and freedom from electrolyte maintenance or water adding.
- Not restricted for air transport-complies with IATA/ICAO Special Provision A67.
- UL-recognized component.
- Can be mounted in any orientation.
- Computer designed lead, calcium tin alloy grid for high power density.
- Long service life, float or cyclic applications.
- Maintenance-free operation.
- Low self discharge.

Standards

- Compliance with IEC 60896 standards, EU Battery Directive.
- UL, CE Certified.
- MAnufactured under ISO45001, ISO9001 and ISO14001 certified production facilities.

Applications

- All purpose.
- Uninterruptable Power Supply (UPS).
- Electric Power System (EPS).
- Emergency backup power supply.
- Alarm and security system.
- Communication power supply.
- DC power supply.
- Auto control system.

